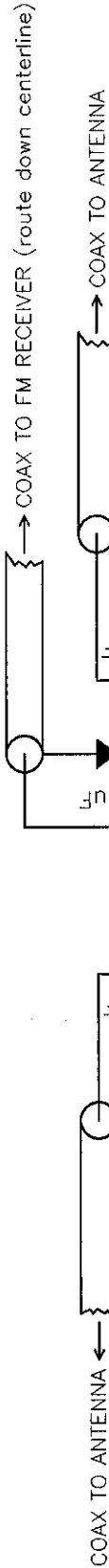


Print: A-Size, 1:00/Rotate



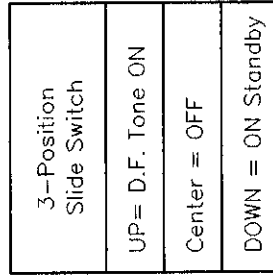
The HANDI-Finder™ is a Handheld Direction Finder which can be used to localize both AM and FM carrier-based sources using a single connection to the antenna input of an FM receiver tuned to a frequency of interest in the range of 45 to 470 MHz.

Coax connects to more complex type of antennas. A HANDI-Finder™ Experimenter's Kit is available which includes the circuit board and components, with an extensive manual discussing antenna variations and DF-ing tips.

The quick-build kit uses open-loop wire antennas, instead of coax shown.

The CD4047 has been a standard component since the early days of CMOS and continues to be available from hobby and industrial sources.

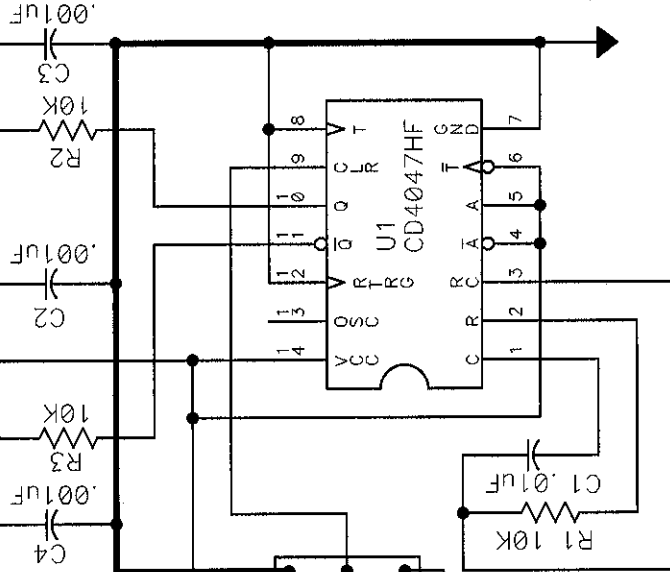
Details at: [www.handi-finder.com](http://www.handi-finder.com)



9V Battery

(Unit draws 1.7mA)

Tone Freq.	R1	C1
400Hz	10K	.056uF
1000Hz	10K	.02 uF
1200Hz	47K	.01uF



# HANDI-Finder™ Functional Symmetrical Schematic

Copyright 2005, 2006 RALTEC Consulting Services

Title		HANDI-Finder™	
Size	Number	Rev	
A	HF2SCH01.S01		
Date	2006 JAN 03 Drawn by LESKOVEC		
Filename	HF2SCH01.S01	Sheet	1 of 1